

SPEC SHEET
LC304

*Interchangeable with
Model TH-CMM*

\$295
Model Shown

ECONOMICAL MINIATURE STAINLESS COMPRESSION LOAD CELL

LC304 Series Compression

0-100 to 0-10,000 lb
0-450 to 0-45,000 N

1 Newton = 0.2248 lb
1 daNewton = 10 Newtons
1 lb = 454 g
1 t = 1000 kg = 2204 lb

- ☑ Rugged Heavy Duty Design
- ☑ Built in Load Button for Easy Installation
- ☑ Miniature 1" (25mm) Diameter and 1" (25mm) High Case
- ☑ 5-POINT NIST Calibration Provided

The OMEGADYNE™ LC304 Series Load Cells offer the highest output of all miniature load cells. Their small diameter, 1" (25mm) makes them easy to mount in a pocket or on a flat surface. The rugged stainless steel case and high quality construction assures high reliability in severe industrial environments.

**For Sales and Service
In U.S.A. and Canada**

1-800-872-3963SM
1-800-USA-DYNE

**International Customers Dial
(614) 965-9340**

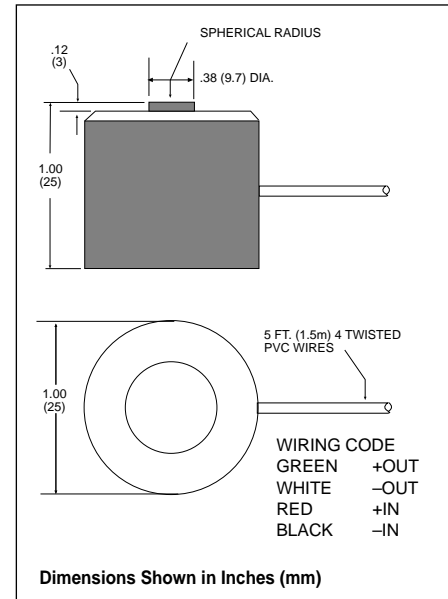
24-Hour FAX (614) 965-9438

OMEGADYNESM FAX
OMEGADYNE's 24-Hour
On-Line Publishing Service
1-800-344-3963SM
1-800-DIG-DYNE
Document # 3637

OMEGADYNE, Inc.
149 Stelzer Court, Sunbury, OH 43074
<http://www.omegadyne.com>
e-mail: info@omegadyne.com

Formerly
THI
T-HYDRONICS, INC.

© COPYRIGHT 1996 OMEGADYNE, INC. ALL RIGHTS RESERVED.



SPECIFICATIONS:

Rated Output: 2.2 mV/V
Excitation: 10 Vdc, 15 Vdc max
Accuracy: ±0.5% FSO Linearity, Hysteresis, Repeatability Combined Calibrated at 0%, 50%, 100%, 50%, 0%
Zero Balance: ±2% FSO
Operating Temp Range: -54 to 107°C (-65 to 225°F)
Compensated Temp. Range: +16 to 71°C (+60 to 160°F)

Thermal Effects:

Zero: 0.005% FSO/°F
Span: 0.02% Rdg/°F
Safe Overload: 150% of Capacity
Ultimate Overload: 300% of Capacity
Input Resistance: 360 ohms minimum
Output resistance: 350 ±5 ohms
Construction: Stainless Steel
Electrical: 5 ft (1.5m) 4-twisted PVC wires

► **Most Popular Models Highlighted** ◀

Prices Shown in U.S. Dollars

To Order: (Specify Model Number)			
Capacity (lb)	Model Number	Price	Compatible Meters
0-100	LC304-100	\$295	INFW, INFS, INFCS
0-500	LC304-500	295	INFW, INFS, INFCS
0-1,000	LC304-1K	295	INFW, INFS, INFCS
0-3,000	LC304-3K	295	INFW, INFS, INFCS
0-5,000	LC304-5K	295	INFW, INFS, INFCS
0-7,500	LC304-7.5K	295	INFW, INFS, INFCS
0-10,000	LC304-10K	295	INFW, INFS, INFCS

Interchangeable with Model TH-CMM

Metric Ranges Available - Consult Engineering

Ordering Examples: 1.) LC304-100 is a 100 lb capacity load cell, \$295.
2.) LC304-5K is a 5,000 lb capacity load cell, \$295.

Printed On Recycled Paper

